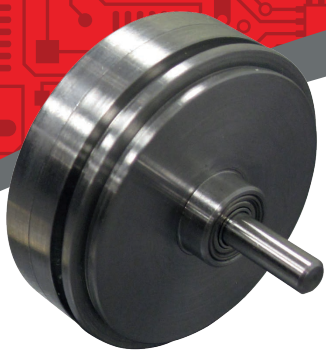


Single turn absolute optical encoder



COA12-01

Size 12 - Ø 30 mm

MAIN TECHNICAL CHARACTERISTICS

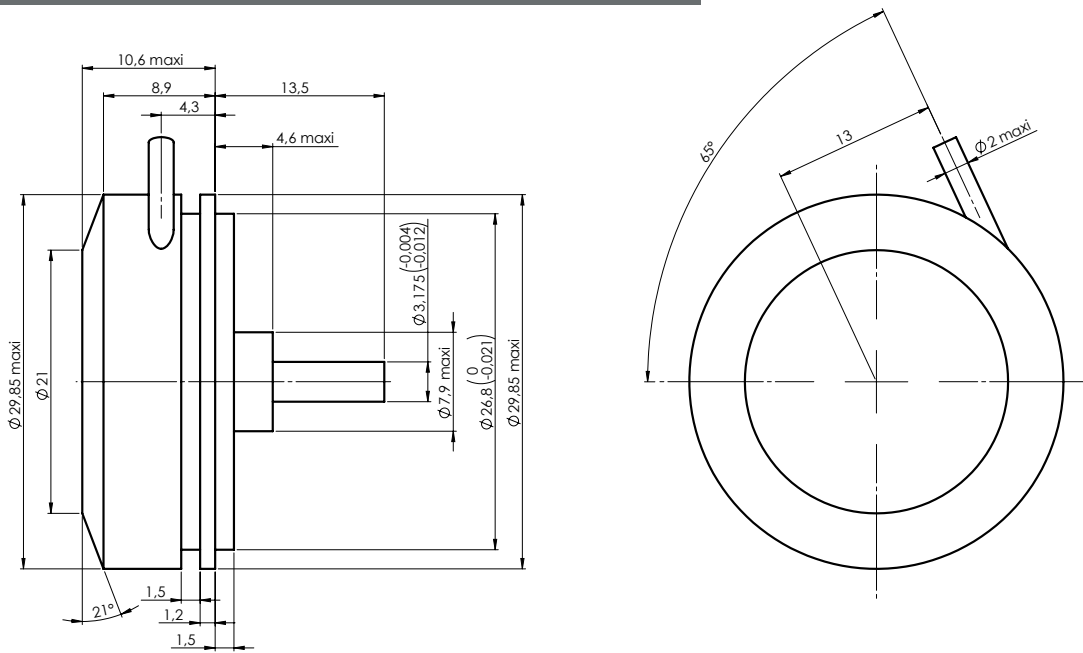
Resolution	up to 22 bits
Accuracy	± 25"
Power supply	+ 5V
Serial output	SSI2 or SSI
Operating speed	300 rpm
Load on shaft (axial and radial)	2N
Max. temperature range	-45°C to +105°C
IP maxi	50

For further information, please contact our sales department :

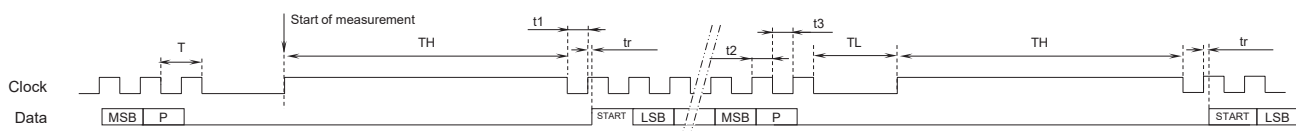
Single turn absolute optical encoder

COA12-01

Drawing



Serial output diagram TYPE SSI2



t1 : The first low state after TH time must be ≥ 250 ns
 t2 : 200 ns min.
 t3 : 200 ns min.

10 KHz \leq Clock = 1/T \leq 2MHz max.
 TL = 2T min.
 TH = 7 μ s min.
 tr = 0.2 μ s max.
 P = Parity bit

Truth table for parity bit

	Parity bit
If Σ of the bits at 1 (including start bit) is even then	0
If Σ of the bits at 1 (including start bit) is odd then	1

