

Single turn absolute optical encoder



COA23-01

Size 23 - Ø 60 mm

MAIN TECHNICAL CHARACTERISTICS

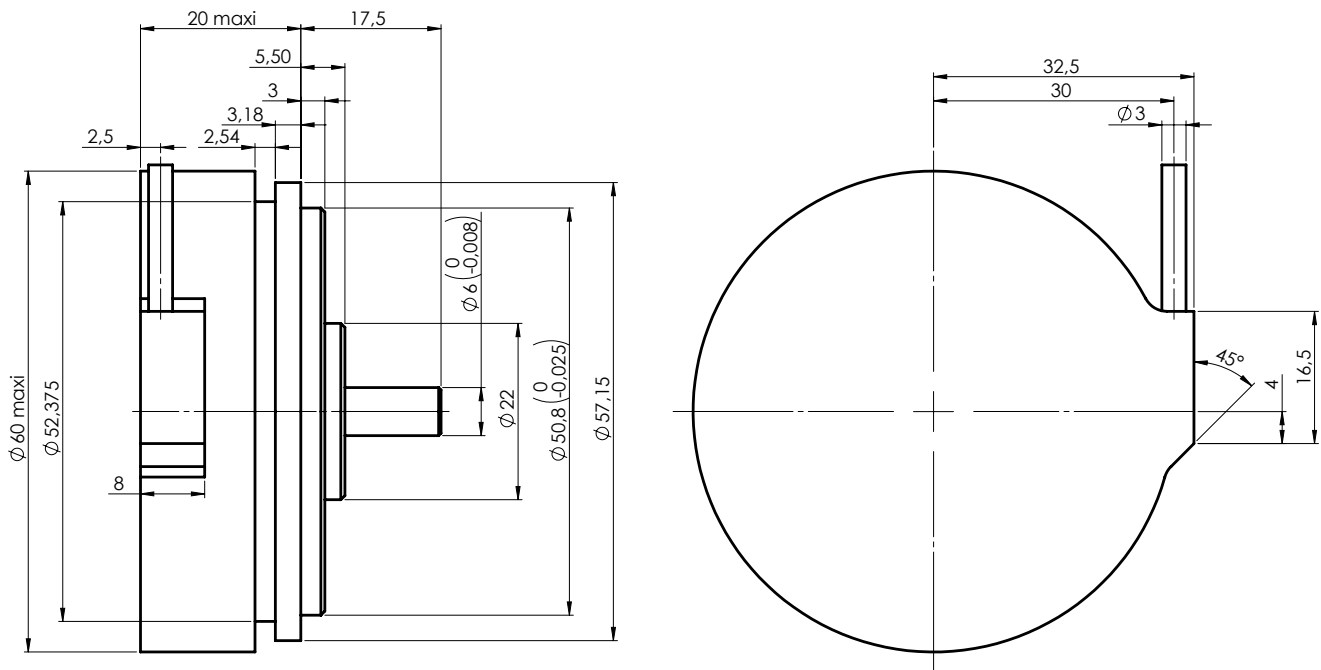
Resolution	up to 23 bits
Accuracy	± 10"
Power supply	+ 5V
Serial output	SSI2 or SSI
Operating speed	300 rpm
Load on shaft (axial and radial)	9N
Max. temperature range	-45°C to +105°C
IP maxi	64

For further information, please contact our sales department :

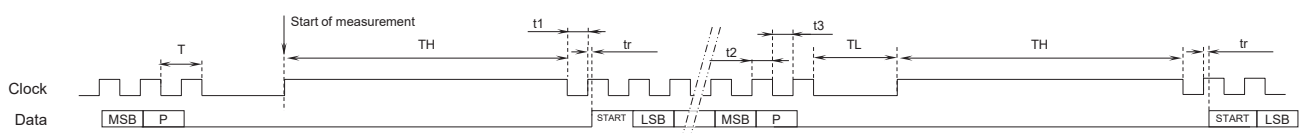
Single turn absolute optical encoder

COA23-01

Drawing



Serial output diagram TYPE SSI2



t1 : The first low state after TH time must be ≥ 250 ns
 t2 : 200 ns min.
 t3 : 200 ns min.

10 KHz \leq Clock = 1/T \leq 2MHz max.
 TL = 2T min.
 TH = 7 μ s min.
 tr = 0,2 μ s max.
 P = Parity bit

Truth table for parity bit

	Parity bit
If Σ of the bits at 1 (including start bit) is even then	0
If Σ of the bits at 1 (including start bit) is odd then	1

