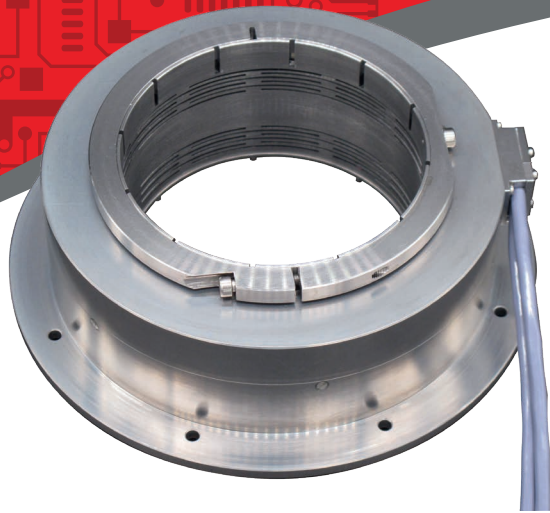


Single turn absolute optical encoder



COA63-01

Size 63 - Ø 190 mm

MAIN TECHNICAL CHARACTERISTICS

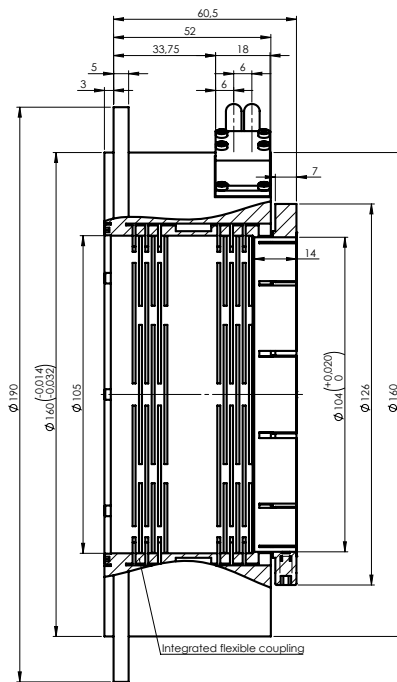
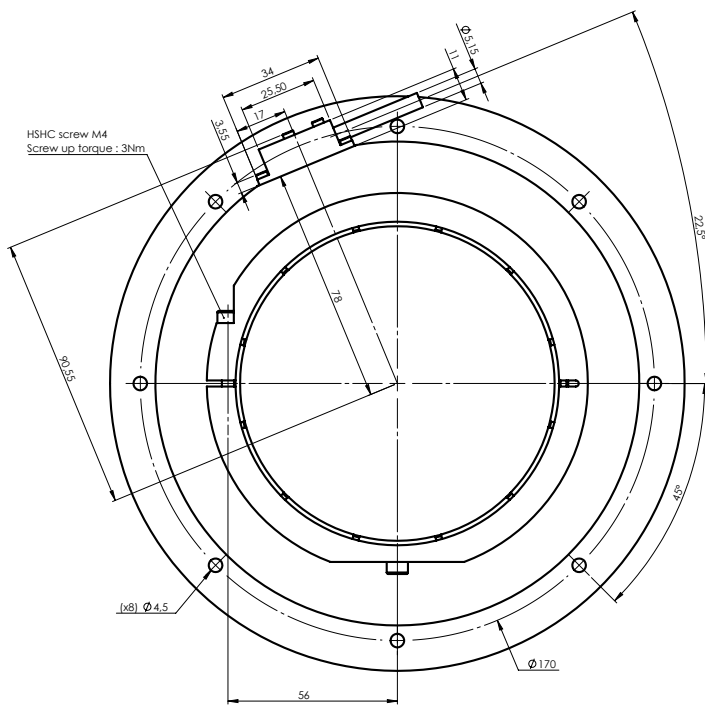
Resolution	up to 25 bits
Accuracy	± 10"
Power supply	+ 24V
Serial output	SSI2 or SSI
Operating speed	120 rpm
Load on shaft (axial and radial)	0,5 mm axial and 0,15 mm radial
Max. temperature range	-45°C to +105°C
IP maxi	50

For further information, please contact our sales department :

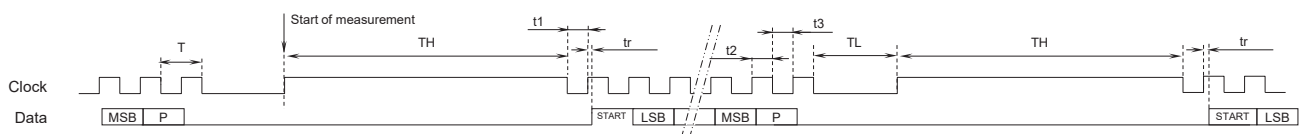
Single turn absolute optical encoder

COA63-01

Drawing



Serial output diagram TYPE SSI2



t1 : The first low state after TH time must be ≥ 250 ns
 t2 : 200 ns min.
 t3 : 200 ns min.

10 KHz \leq Clock = 1/T \leq 2MHz max.
 TL = 2T min.
 TH = 7 μ s min.
 tr = 0.2 μ s max.
 P = Parity bit

Truth table for parity bit

	Parity bit
If \sum of the bits at 1 (including start bit) is even then	0
If \sum of the bits at 1 (including start bit) is odd then	1

