

Multiturn absolute optical encoder

COM23-01

Size 23 - Ø 58 mm



MAIN TECHNICAL CHARACTERISTICS

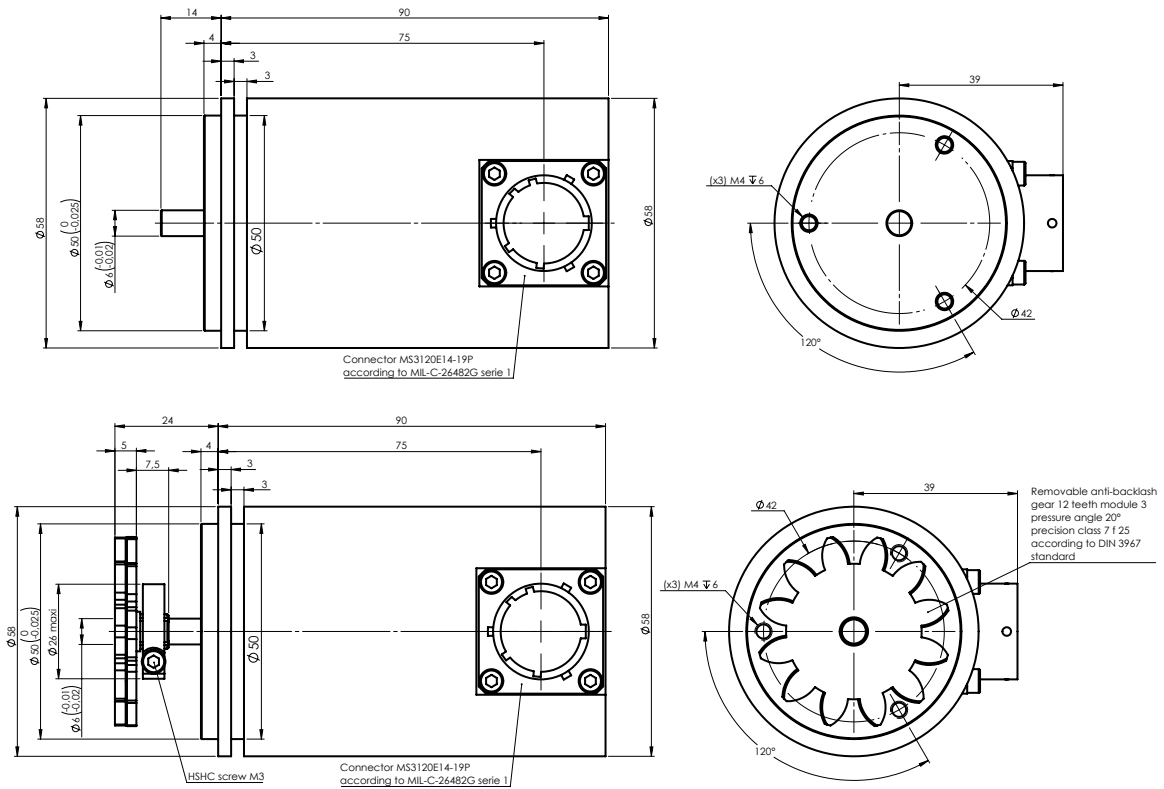
Resolution	up to 35 bits (23+12)
Accuracy	± 20"
Power supply	+ 5V
Serial output	SSI2 or SSI
Operating speed	300 rpm
Load on shaft (axial and radial)	40N axial and 60N radial
Max. temperature range	-45°C to +105°C
IP maxi	68

For further information, please contact our sales department :

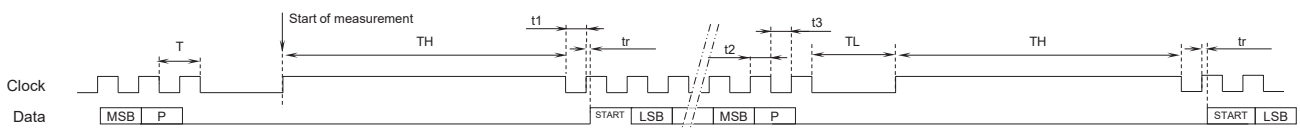
Multiturn absolute optical encoder

COM23-01

Drawing



Serial output diagram TYPE SSI2



- t1 : The first low state after TH time must be ≥ 250 ns
- t2 : 200 ns min.
- t3 : 200 ns min.

- $10 \text{ KHz} \leq \text{Clock} = 1/T \leq 2 \text{ MHz max.}$
- TL = 2T min.
- TH = 7 μ s min.
- tr = 0.2 μ s max.
- P = Parity bit

Truth table for parity bit

	Parity bit
If \sum of the bits at 1 (including start bit) is even then	0
If \sum of the bits at 1 (including start bit) is odd then	1

INPUT OUTPUT STANDARD RS 422

