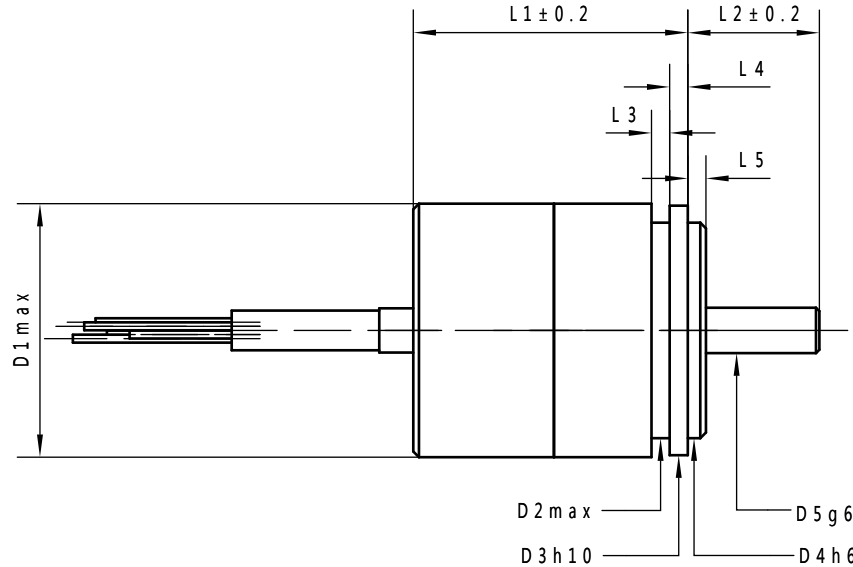
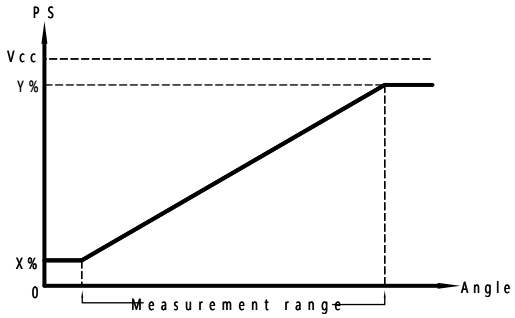
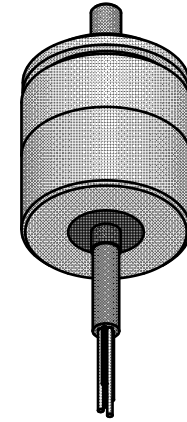


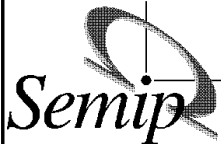
	D1	D2	D3	D4	D5	L1	L2	L3	L4	L5	Weight
H22	22.35	20.00	22.35	19.05	4.00	24.20	12.5	1.60	1.60	1.60	
H27	27.00	25.00	27.00	25.40	4.00	24.20	12.5	1.60	1.60	1.60	
H33	33.33	31.00	33.33	30.16	6.00	24.20	12.5	1.60	1.60	1.60	
H36	36.5	33.30	36.5	33.32	6.00	24.20	12.5	1.60	1.60	1.60	
H45	44.45	41.40	44.45	39.67	6.00	24.20	12.5	1.60	1.60	1.60	
H50	50.8	47.60	50.8	73.02	6.00	24.20	12.5	1.60	1.60	1.60	



Sinus vibration resistance	IEC68-2-6	20g max at 50 to 2000Hz
Insulation resistance	>1000MO	500Vac
Dielectric with standing volt.	750 Veff	50Hz - 1min
Shocks	IEC68-2-27	50g 11ms 1/2 sinus
Sealing	IP	68
Temperature range	-55°C	+150°C

Sizes			H22-09		H27-11		H33-13		H36-15		H45-18		H50-20	
designation	unit	tolerance	min	max	min	max	min	max	min	max	min	max	min	max
Power supply	Vdc	N/A	5	9-30	5	9-30	5	9-30	5	9-30	5	9-30	5	9-30
electrical range	degree	±1	20	359.75	20	359.75	20	359.75	20	359.75	20	359.75	20	359.75
Linearity	±%	N/A	0.25	1	0.25	1	0.25	1	0.25	1	0.25	1	0.25	1
inter-linearity	%	N/A	0.5	2	0.5	2	0.5	2	0.5	2	0.5	2	0.5	2

Options			H22-09		H27-11		H33-13		H36-15		H45-18		H50-20	
designation	unit	tolerance	min	max	min	max	min	max	min	max	min	max	min	max
Number of elements	l	N/A	1	2	1	2	1	2	1	2	1	2	1	2
RAZ	l	N/A	1	2	1	2	1	2	1	2	1	2	1	2
Shaft diameter	mm	g6	3	6.35	3	6.35	3	6.35	3	6.35	3	6.35	3	6.35
	%	N/A												



Standard one turn hall effect sensor

FTC - 09